

Sym.	Description
C1	cap., molded, .05 mfd - 400 V, ±10%
C2	cap., disc., 47 mmf, ±10%
C3	cap., elec., 50 mfd - 25 V
C4	cap., molded, .25 mfd - 400 V, ±10%
C5	cap., molded, .1 mfd - 400 V, ±10%
C6	cap., disc., 500 mmf, ±10%
C7	cap., molded, .1 mfd - 400 V, ±10%
C8	cap., disc., 750 mmf - 1000 V, ±10%

Sym.	Description
C9	cap., disc., 850 mmf, ±10%
C10	cap., elec., 2x 20 mfd - 450 V
C11	cap., elec., 2x 20 mfd - 450 V
C12	cap., elec., 50 mfd - 50 V
C13	cap., molded, .03 mfd - 600 V
F1	fuse, 3 amp
J1	jack, input
J2	jack, 117 VAC

Sym.	Description
J3	jack, 117 VAC
J4	jack, preamp power
R1	pot., 1MΩ, audio
R2	res., 10KΩ, 1/2W, ±10%
R3	res., 470KΩ, 1/2W, ±5%
R4	res., 100KΩ, 1/2W, ±5%
R5	res., 100Ω, 1/2W, ±5%
R6	res., 1.138KΩ, 1/2W, ±5%

Sym.	Description
R7	res., 1MΩ, 1/2W, ±10%
R8	res., 15KΩ, 1/2W, ±10%
R9	res., 220KΩ, 1/2W, ±10%
R10	res., 10KΩ, 1W, ±10%
R11	res., 1.8KΩ, 1/2W, ±5%
R12	res., 1.8KΩ, 1/2W, ±5%
R13	res., 18KΩ, 1W, ±5%
R14	res., 28.75KΩ, 1W, ±5%

Sym.	Description
R15	res., 33KΩ, 1W, ±5%
R16	res., 120KΩ, 1/2W, ±10%
R17	res., 120KΩ, 1/2W, ±10%
R18	res., 350Ω, 10W, ±10%
R19	res., 10KΩ, 1W, ±10%
R20	res., 1KΩ, 1/2W, ±10%
R21	res., 1KΩ, 1/2W, ±10%

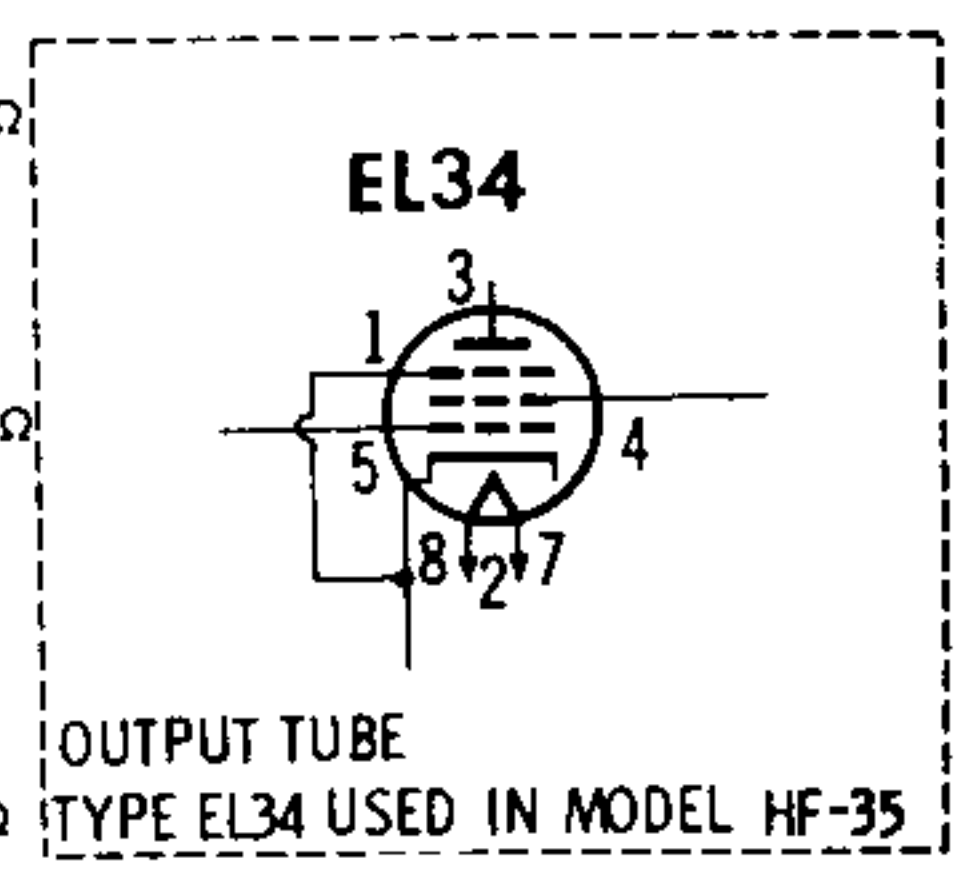
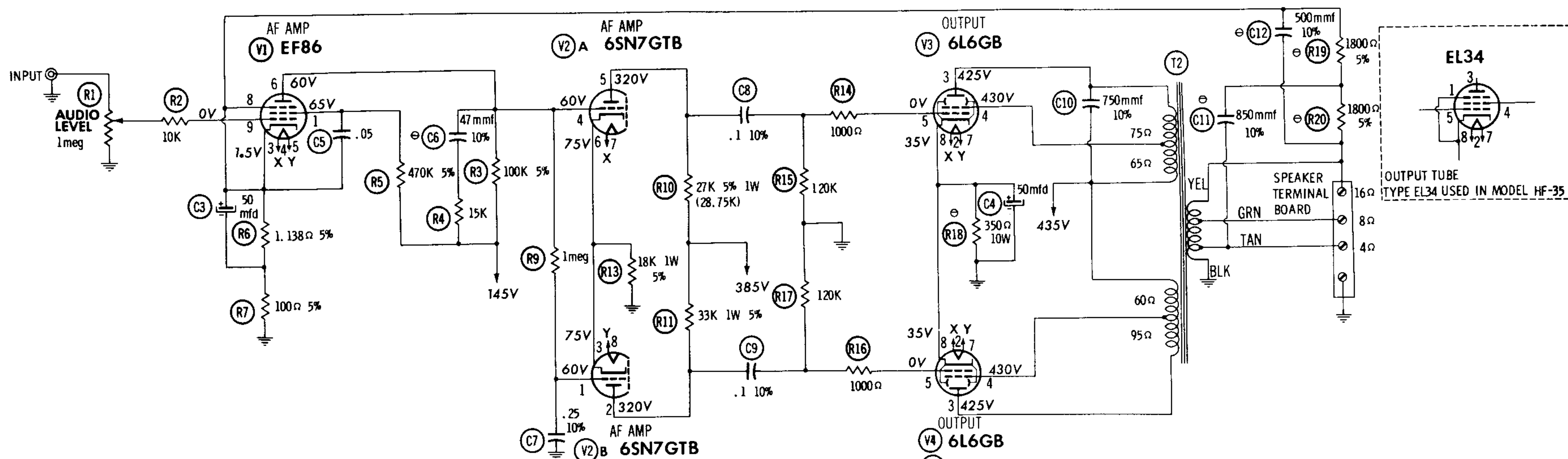
Sym.	Description
T1	transformer, output
T2	transformer, power
V1	tube, 6SN7
V2	tube, 6SN7
V3	tube, 6L6 GB
V4	tube, 6L6 GB
V5	tube, 5U4 GB



MODEL HF-22

22 WATT HIGH FIDELITY AMPLIFIER



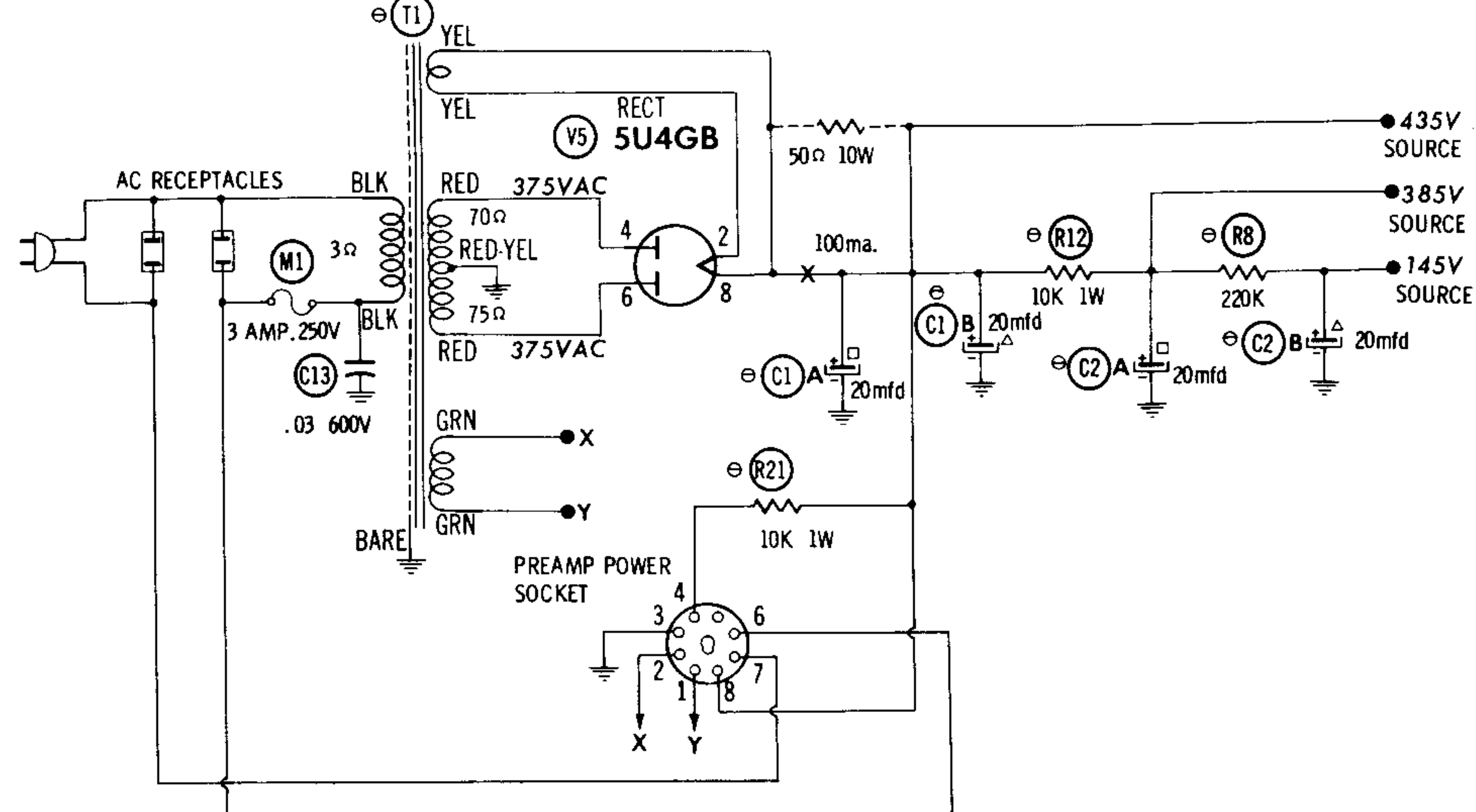


RESISTANCE READINGS

ITEM	TUBE	Pin 1	Pin 2	Pin 3	Pin 4	Pin 5	Pin 6	Pin 7	Pin 8	Pin 9
V1	EF86 6267	†700K	0Ω	1200Ω	INF	INF	†330K	0Ω	1200Ω	10K
V2	6SN7GTB	†1.3meg	†43K	18K	†330K	†37K	18K	INF	INF	
V3	6L6GB	0Ω	INF	†140Ω	†65Ω	120K	TP	INF	350Ω	
V4	6L6GB	0Ω	INF	†155Ω	†60Ω	120K	TP	INF	350Ω	
V5	5U4GB	NC	†	NC	70Ω	NC	75Ω	NC	†	

† THIS READING WILL VARY DEPENDING UPON THE CONDITION OF THE ELECTROLYTIC IN THE CIRCUIT.
 † MEASURED FROM PIN 8 OF V5.
 NC NO CONNECTION

TP TIE POINT



SEE PARTS LIST FOR ALTERNATE VALUE OR APPLICATION

DC COIL RESISTANCE VALUES UNDER ONE OHM NOT SHOWN ON SCHEMATIC DIAGRAM

- DC voltage measurements taken with vacuum tube voltmeter; AC voltages measured at 1000 ohms per volt.
- Socket connections are shown as bottom views.
- Measured values are from socket pin to common negative.
- Line voltage maintained at 117 volts for voltage readings.
- Nominal tolerance of component values makes possible a variation of ±15% in voltage and resistance readings.
- All controls at minimum, proper output load connected.

A PHOTOFAC STANDARD NOTATION SCHEMATIC

© Howard W. Sams & Co., Inc. 1960

EICO MODELS
HF-22, HF-35